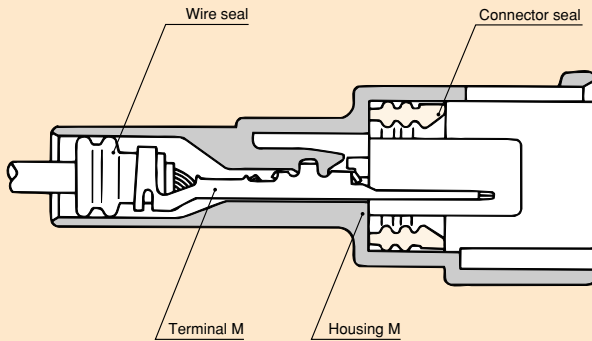
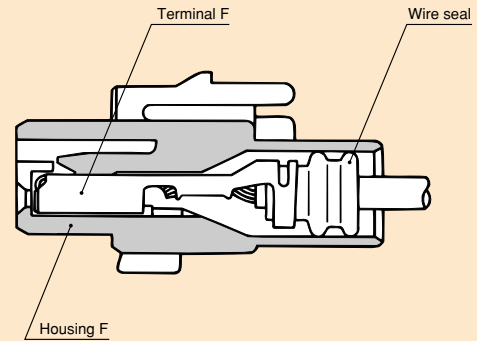


Structure

Connector M

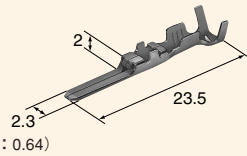


Connector F



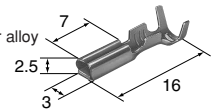
Terminal (UNIT: mm)

Cable size (mm ²)	0.3~1.25
Cable overall diameter (mm)	1.4~2.9
Material	Brass
Surface treatment	Tin-plated
Reel (piece)	5000
Thickness (mm)	0.3 (Tab thickness : 0.64)



M(1500-0105)

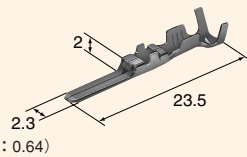
Cable size (mm ²)	0.3~1.25
Cable overall diameter (mm)	1.4~2.9
Material	Heat-resistant copper alloy
Surface treatment	Tin-plated
Reel (piece)	5000
Thickness (mm)	0.25



F(1500-0110)

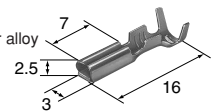
090

Cable size (mm ²)	2.0
Cable overall diameter (mm)	2.0~2.7
Material	Brass
Surface treatment	Tin-plated
Reel (piece)	5000
Thickness (mm)	0.3 (Tab thickness : 0.64)



M(8230-4408)

Cable size (mm ²)	2.0
Cable overall diameter (mm)	2.0~2.7
Material	Heat-resistant copper alloy
Surface treatment	Tin-plated
Reel (piece)	5000
Thickness (mm)	0.25

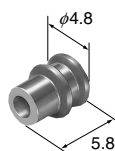


F(8240-4828)

Wire seals (UNIT: mm)

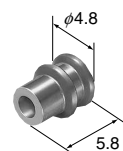
- The wire seals are common to M and F.
- P5: For 5mm Pitch housing/Please inquire us for the details.
- P6: For 6mm pitch housing

Cable overall diameter (mm)	2.0~2.7
Material	N.B.R.
Color	Brown



For P5 (7161-9785)

Cable overall diameter (mm)	2.0~2.7
Material	N.B.R.
Color	Black



For P5 (7160-9785)

090